

APPLICANT'S NAME: _____

DATE: _____

SCORE: _____

CT001 BLOCK MASON TEST

Below are some multiple-choice questions pertaining to Block Masons.
Circle the BEST possible answer for each question.

1. What are the actual dimensions of a Regular Block?
 - A. 8x8x16
 - B. $7 \frac{3}{8} \times 7 \frac{3}{8} \times 15 \frac{5}{8}$
 - C. $7 \frac{5}{8} \times 7 \frac{5}{8} \times 15 \frac{5}{8}$
 - D. None of the above

2. What are the actual dimensions of a half block?
 - A. 8x8x8
 - B. 8x4x8
 - C. $7 \frac{5}{8} \times 7 \frac{5}{8} \times 3 \frac{5}{8}$
 - D. $7 \frac{5}{8} \times 7 \frac{5}{8} \times 7 \frac{5}{8}$

3. What tool can be used to hold a string line in place to run a course of blocks?
 - A. Line-Bar
 - B. Line-Block
 - C. Line-Pin
 - D. All of the above

4. The pre-cast concrete headers that are used over most entry door openings are commonly known as what?
 - A. Flat
 - B. Concave
 - C. Recessed
 - D. Squared

5. If the bottom of a pre-cast window header sits at 6'8", how many courses of block are below it?
 - A. 9
 - B. 10
 - C. 11
 - D. 12

6. When laying lead blocks on the corners or ends of walls they should be what?
 - A. Level
 - B. Plumb
 - C. True
 - D. All of the above

7. What is the correct term for a vertical mortar joint?
 - A. Runner
 - B. Bed
 - C. Head
 - D. Plumb

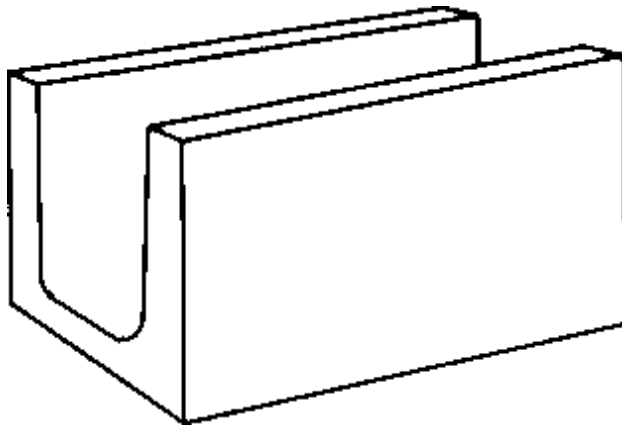
8. What is the correct term for a horizontal mortar joint?
 - A. Head
 - B. Level
 - C. Bed
 - D. Struck

9. What is the typical thickness of mortar joints for block walls?
 - A. 3/8"
 - B. 1/4"
 - C. 1/2"
 - D. 5/16"

10. What device can be used to prevent a stringline from sagging when laying a long course of blocks?
 - A. Line-level
 - B. Line-twig
 - C. Line-screw
 - D. Line-stretcher

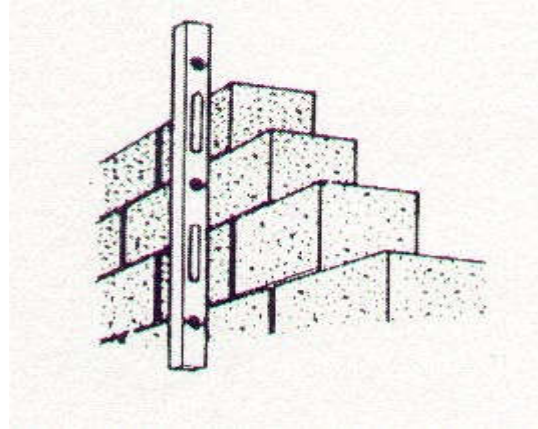
11. A hole made to expose the reinforcement steel on the first course of block is commonly known as what?
 - A. Exposed block
 - B. Revealed block
 - C. Clean-out block
 - D. Open block

12. Freshly laid block walls that will be covered with stucco are usually what?
- A. Broomed
 - B. Raked
 - C. Struck
 - D. Parged
13. What blocks are usually used to make up a bond beam?
- A. Fluted
 - B. Split faced
 - C. Lentil
 - D. Boxcar
14. A block wall used to create a concrete slab instead of wooden forms is commonly known as what?
- A. Wythe wall
 - B. Head wall
 - C. Stem wall
 - D. Retaining wall
15. Under a bond beam what is usually used to prevent concrete from filling the block walls solid?
- A. Tar paper
 - B. Lentil screen
 - C. Lentil caps
 - D. Dura screen
16. This is a picture of what?
- E. Tie beam
 - F. Stem wall
 - G. Bond Beam
 - H. Header



17. The level in this picture is checking to see that the blocks are what?

- a. True
- b. Plumb
- c. Level
- d. Square



18. This wall is made from what type of block?

- a. Glass
- b. Fluted
- c. Split faced
- d. Decorative



19. The blocks in this wall are laid in what bond style?

- a. Stack bond
- b. Staggered bond
- c. Running bond
- d. None of the above

20. The arrow below is pointing to what measurement?

- a. $3 \frac{3}{8}$ "
- b. $3 \frac{1}{2}$ "
- c. $3 \frac{5}{8}$ "
- d. $3 \frac{7}{8}$ "

